

# SERVICE MANUAL



- ▶ Please read the manual carefully and keep it in mind before using this machine.
- ▶ Put this manual within touch of your reference in anytime.

# PRECAUTIONS FOR USE

The following safety precautions are given throughout this manual. They must be strictly followed to protect those who install, use or maintain this product as well as to protect players, visitors and property.

For safety reasons.

- The following suggestions should be adhered to:

## WARNING

Disregarding could result in serious injury.

## CAUTION

Disregarding could result in injury or product damage.

- The following graphic suggestions describe the types of precautions to be followed.



Indicates a care should be taken.



Forbidden.



Indicates a matter which must be performed.

- Precautions to be followed:

**Certain procedures require a qualified in-shop maintenance person or industry specialist. For such instructions, a qualified person must take care of the jobs.**

- Otherwise an electric shock, machine trouble, or a serious accident may result.
- Replacing the machine parts, inspecting and maintaining the machines, and troubleshooting must be assigned only to a qualified in-shop maintenance person or industry specialist. This booklet gives instructions that hazardous jobs in particular must be handled by an industry specialist. Qualified in-shop maintenance person and industry specialist are defined as follows.

### **Qualified in-shop maintenance person**

- A service staff shall have experience in operations of game machines. The staff shall be responsible for assembly, installation, inspection and maintenance of the machine.

### **Industry specialist**

- An industry specialist must be engaged in designing, manufacturing, inspecting and servicing amusement machines. He or she must have an education in electrical, electronic and mechanical engineering, and routinely maintain and repair amusement machines.

# ♣ PRECAUTIONS FOR USE

## WARNING

**Be sure to consult an industry specialist when setting up, moving or transporting this product.**

- This product should not be set up, moved or transported by any one other than an industry specialist.
- When installing this product, set the 4 leg levelers evenly on the floor and make sure that the product is installed stably in a horizontal position. Unstable installation may result in injury or accident.
- When installing this product, do not apply undue force on movable parts. Otherwise, injury and accident may result, or the product may be damaged.

**The machine for indoor usage only does not install outside.**



**Do not set the game machine up near emergency exits.**



**Protect the game machine from:**

- Rain or moisture.
- Direct sunlight.
- Direct heat from air-conditioning and heating equipment, etc..
- Hazardous flammable substances.
- Otherwise an accident or malfunction may result.



**Do not place containers holding chemicals or water on or near the game machine.**



**Do not place objects near the ventilating holes.**



**Do not bend the power cord by force or place heavy objects on it.**



**Never plug or unplug the power cord with wet hands.**



**Never unplug the game machine by pulling the power cord.**



## CAUTION

**Be sure to use indoor wiring within the specified voltage requirements. For extension cord, use the specified rating or more.**

**Be sure to use the attached power cord.**

**Never plug more than one cord at a time into the electrical receptacle.**



**Do not lay the power cord where people walk through.**



**Be sure to ground this product.**



**Do not exert excessive force when moving the machine.**




**For proper ventilation, keep the game machine 100mm(4") away from the walls.**

**Do not alter the system related dipswitch settings.**

# ♣ PRECAUTIONS FOR USE

## ⚠ WARNING

**If there is any abnormality such as smoke, bad smell or abnormal noise being emitted from the machine, immediately turn OFF the main power switch and unplug the power cord from the receptacle to stop operating it.** 

- Using the machine in abnormal conditions could result in fire or accidents.


### In case of abnormality

1. Turn OFF the main power switch.
2. Unplug the power cord from the receptacle.
3. Contact your nearest dealer.

**Do not leave the power cord plugged in improperly or covered with dust.** 

- Doing so could result the power cord periodically.


## ⚠ CAUTION


**Do not use this product anywhere other than industrial areas.** 

- Using in a residential area or an area next to a residential area could affect signal reception of radios, television sets, telephones, etc..

- Do not give shock the surface of glass products.

- Please do not play this game if
  - When you do drinking;
  - When your physical condition is not normal;
  - When you are in pregnancy;
  - When you have on a pulse controller;
  - When you have recently experienced a cramp or fainting away while watching TV.
- Avoid excessive force/shock while playing/moving the game.
- While do games, pay attention to surrounding.

**Do not plug or unplug the power cord with wet hands.** 


**In handling the power cord, follow the instructions below.** 


- |   |  |
|---|--|
| • Do not damage the power cord.           | • Do not modify the power cord.            |
| • Do not bend the power cord excessively. | • Do not twist the power cord.             |
| • Do not heat the power cord.             | • Do not pull the power cord.              |
| • Do not bind the power cord.             | • Do not stand on the power cord.          |
| • Do not sandwich the power cord.         | • Do not drive a nail into the power cord. |


**If the power cord or power plug becomes damaged, stop using the machine immediately and ask your nearest dealer to replace the parts.**


# ♣ PRECAUTIONS FOR USE


## ⚠ WARNING

Be sure to turn OFF the main power switch and unplug the power cord from the receptacle before inspecting or cleaning the machine. 

When replacing parts, be sure to use parts of the correct specifications. Never use parts other than the specified ones. 

Opening inside the machine shall be done by machine specialist only as high electric current is being sent inside. For game machine with monitor, a care should be taken while opening its back door. If not, a damage to the inside parts or the monitor may occur. 


If the sub power switch of the service panel is turned OFF without turning OFF the main power switch of the power supply unit, some parts in the units remain live. When opening the back door, be sure to turn OFF the main power switch and unplug the power cord from the receptacle. 

Strictly refrain from disassembly and repair of parts which are not indicated in this manual, as well as settings and remodeling. 


To clean the game machine, wipe it with a soft cloth dampened in a neutral detergent.

- Using thinner or other organic solvent or alcohol may decompose the material.
- Electrical shock or equipment failure could be caused by water entering the inside of the machine.

## ⚠ CAUTION

Components in the game are sensitive to vibrations and impact. Care should be used when moving and transporting the game machine. 

Be sure not to let the machine tip over.

Before moving the machine, be sure to turn OFF the main power switch, unplug the power cord from the receptacle and remove the power cord from the machine. 

Before moving take the machine, off the levelers and move it on the casters.

Avoid excessive force while moving the machine.

.....

## PRECAUTIONS IN HANDLING

- When setting up, inspecting, maintaining, moving or transporting this product, follow the procedures and instructions set forth in this manual and perform such work safely.
- Do not set up, handle, inspect, maintain, move or transport this product under conditions equivalent to the condition of "WARNING" or "CAUTION" specified in this manual.
- If a new owner is to have this product as a result of transfer, etc., be sure to give this manual to the new owner.

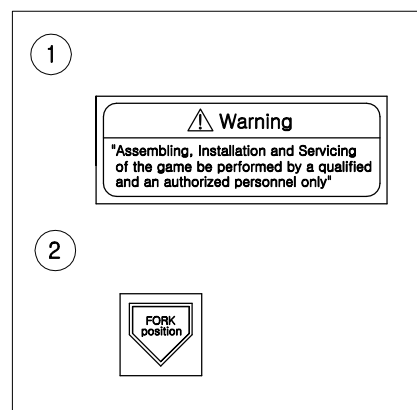
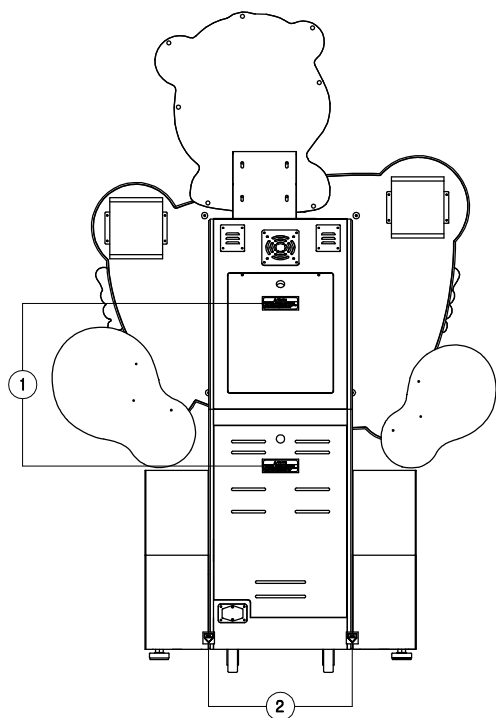
## \* CONTENTS

1. SPECIFICATION
2. WARNING STICKER
3. ACCESSORY PARTS
4. MAIN COMPONENT LIST
5. HOW TO INSTALL
  - 5-1. How to assembly STEP FLOOR ass'y
  - 5-2. How to assembly MAIN CABINET ass'y
  - 5-3. How to connect step ass'y to the Main CABINET
  - 5-4. How to connect to the POWER
6. SERVICE MENU
  - 6-1. Test Input
  - 6-2. Test Lights
  - 6-3. Game Options
  - 6-4. Coin Options
  - 6-5. Ticket Options
  - 6-6. USB Patch
  - 6-7. Toggle Songs
  - 6-8. Reduce brin-in
  - 6-9. Bookkeeping
7. HOW TO INSTALL / REPLACE PARTS
  - 7-1. How to Change / Upgrade MK9 Kit
  - 7-2. How to Change / Repalce LCD
  - 7-3. How to Change / Repalce SPEAKER LED PCB
  - 7-4. How to Change / Repalce SUB WOOFER PCB
  - 7-5. How to Change / Upgrade FOOT SENSOR & FOOT LED PCB
8. EXPLODED VIEW
  - 8-1. MASK ASS'Y
  - 8-2. MAIN CABINET ASS'Y
  - 8-3. CEC BOX ASS'Y
  - 8-4. COIN BOX ASS'Y
  - 8-5. MAIN BOX ASS'Y
  - 8-6. POWER PANEL ASS'Y
  - 8-7. STEP ASS'Y
9. WIRING DIAGRAM

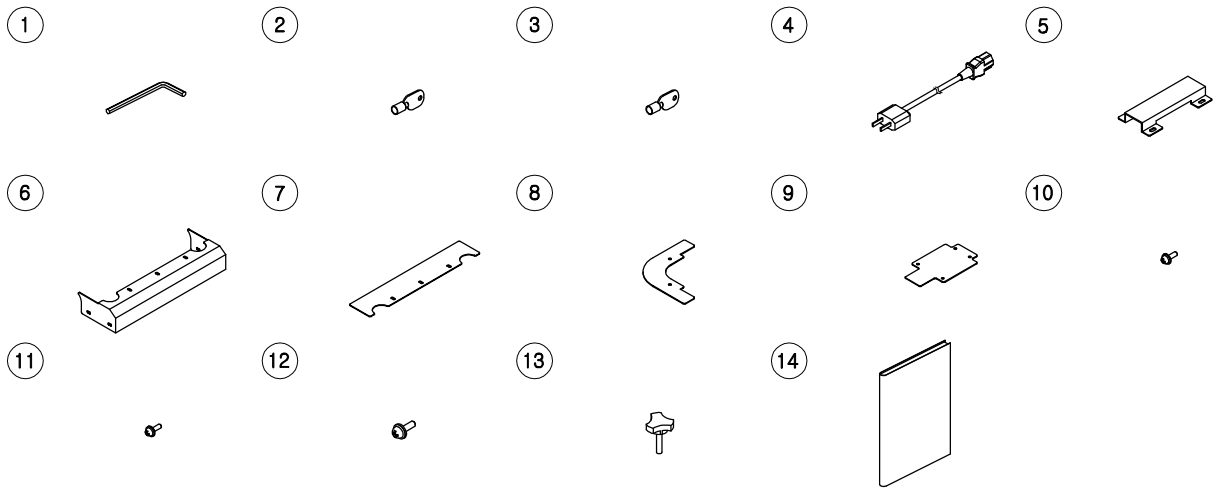
## 1. SPECIFICATION

DESCRIPTION	SPECIFICATION	
DIMENSION mm(inch)	BODY	W 1392(548) x D 668(263) x H 2070(815)
	STEP	W 1600(630) x D 1049(413) x H 814(407)
WEIGHT	250 kg	
DISPLAY	32" LCD	
COIN MECHANISM	SG-628	
TICKET DISPENSOR	Optional	
SPEAKER	8" WOOFER - 1ea	60 W
	MID 4" - 2ea	40 W
POWER RATED VOLTAGE RANGE	AC 110V, 220V	
CONSUMPTION	500 W	

## 2. WARNING STICKER

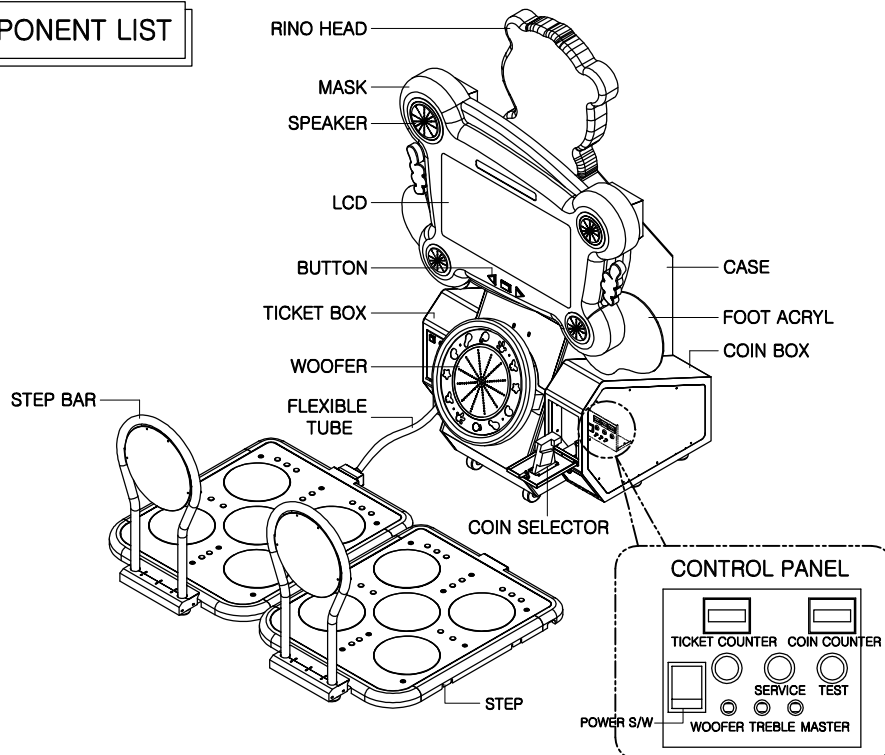


### 3. ACCESSORY PARTS



NO.	PART NAME	SPEC.	QUANTITY	CODE NO.
1	WRENCH	4mm	1	-
2	CASH BOX KEY	6001	2	MZZZ0KEY013
3	FRONT DOOR KEY	7001	2	MZZZ0KEY032
4	AC POWER CORD	110V	1	MELE0ACP001
5	CONNECTOR BRACKET	-	2	MPUJ0MEP046
6	PIPE UPPER REAR COVER BRACKET	-	2	APUJ0MEP066
7	PIPE UPPER FRONT COVER BRACKET	-	2	APUJ0MEP065
8	CONNECT HARNESS SIDE COVER BRACKET	-	4	APUJ0MEP048
9	CONNECT HARNESS COVER	-	2	APUJ0MEP047
10	BOLT	M4x10L	32	-
11	BOLT	M4x16L	6	-
12	BOLT	M6x16L	24	-
13	HAND BOLT	M6x36L	4	-
14	MANUAL	-	1	MPUJ0MAN002

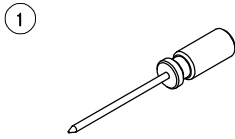
### 4. MAIN COMPONENT LIST





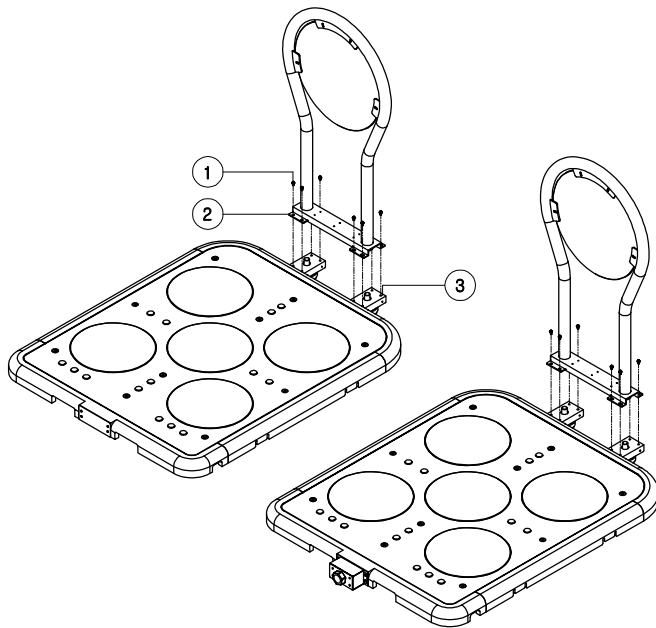
## 5. HOW TO INSTALL

\* Tools needed to install



NO.	PART NAME	QUANTITY
1	Phillips Screwdriver	1

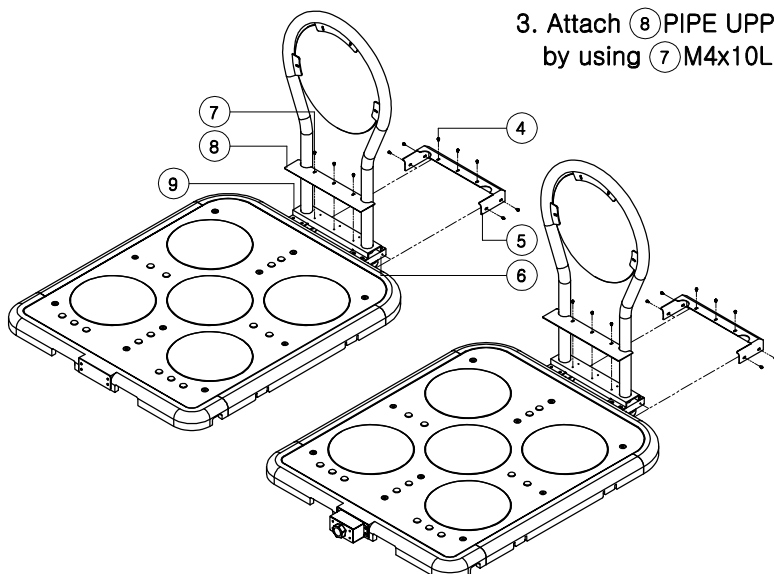
5-1. How to assembly STEP FLOOR ass'y



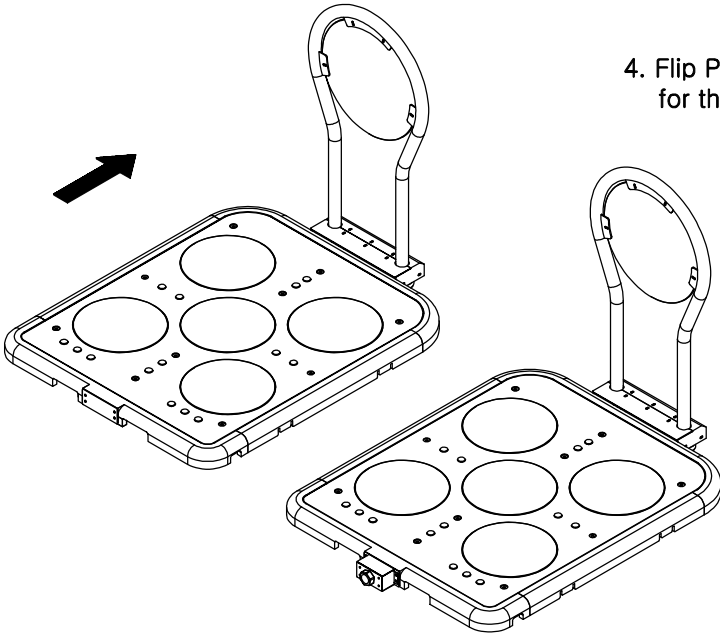
1. Attach ② REAR PIPE to ③ ASS'Y PIPE Fix Bracket by using ① M6x16L Bolts. (for both Left/Right, 16 Bolts in total)

2. Attach ⑤ PIPE UPPER REAR COVER BRACKET to ⑥ PIPE FIX BRACKET by using ④ M4x10L Bolts.(14 Bolts in total)

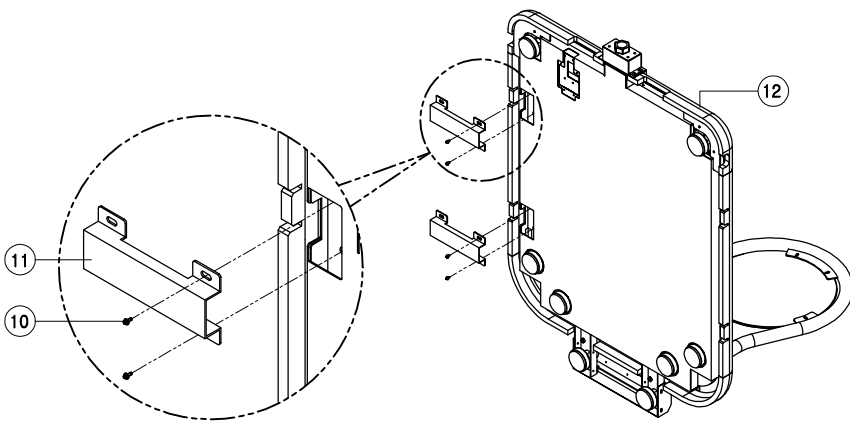
3. Attach ⑧ PIPE UPPER FRONT COVER BRACKET to ⑨ REAR PIPE ASS'Y by using ⑦ M4x10L Bolts.(6 Bolts in total)

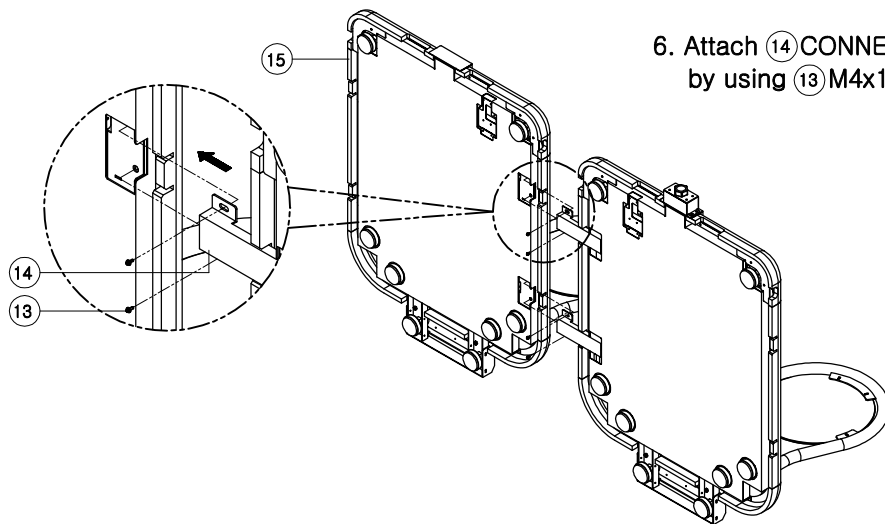


4. Flip PUMP STEP ASS'Y to see the bottom part of the ASS'Y for the next installation step.

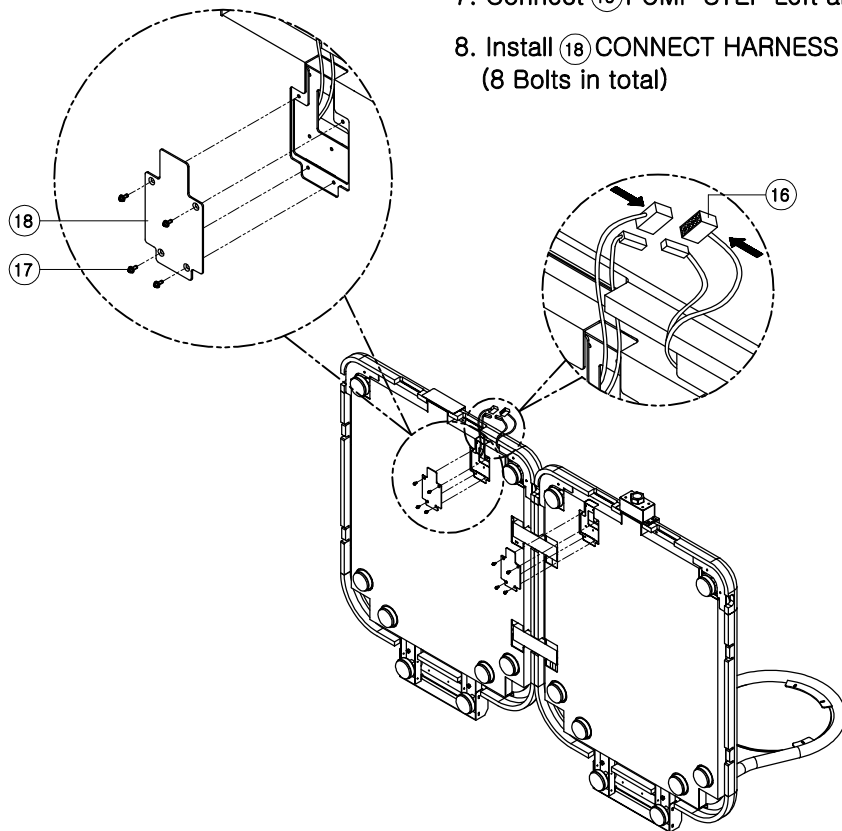


5. Attach ⑪ CONNECTOR BRACKET to ⑫ PUMP STEP ASS'Y L by using ⑩ M4x16L Bolts.(4 Bolts in total)





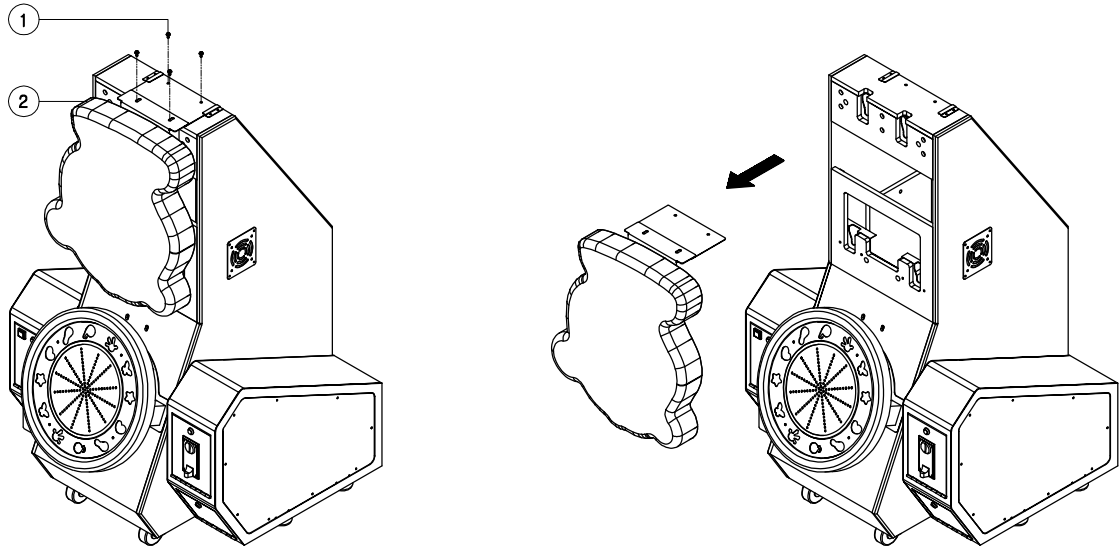
6. Attach ⑭ CONNECTOR BRACKET to ⑮ PUMP STEP ASS'Y R by using ⑬ M4x16L Bolts.(4 Bolts in total)



7. Connect ⑯ PUMP STEP Left and Right CONNECTOR together.

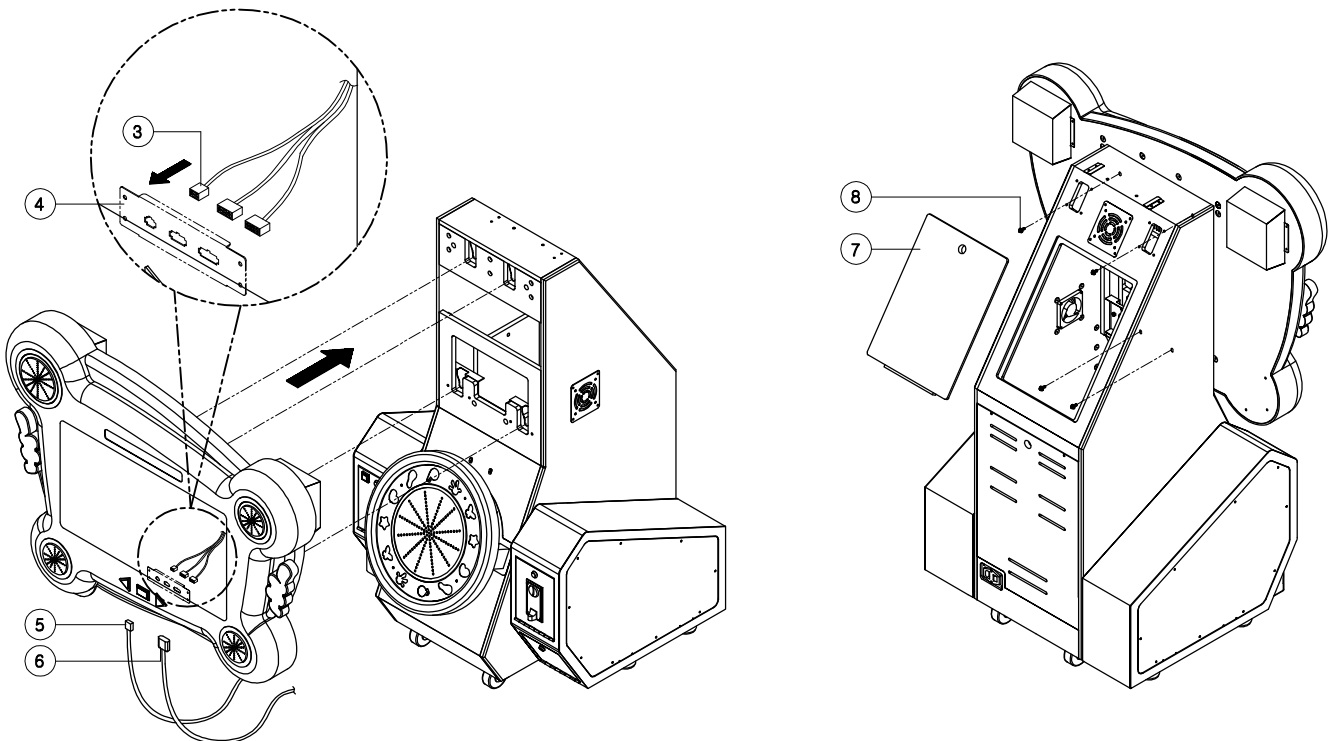
8. Install ⑱ CONNECT HARNESS COVER by using ⑰ M4x10L Bolts. (8 Bolts in total)

## 5-2. How to assembly MAIN CABINET ass'y



1. Detach ② MASK ASS'Y by loosening ① HAND BOLT.(4 Bolts in total)

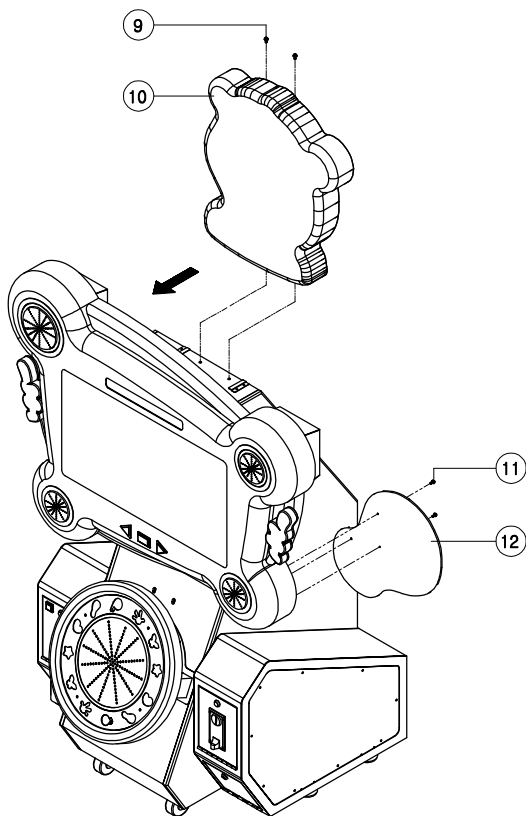
\* Keep ① HAND BOLT to fasten ② MASK ASS'Y



2. Open ⑦ the REAR UPPER DOOR and fix MASK ASS'Y using ⑧ HAND BOLT.  
(4 Bolts in total)

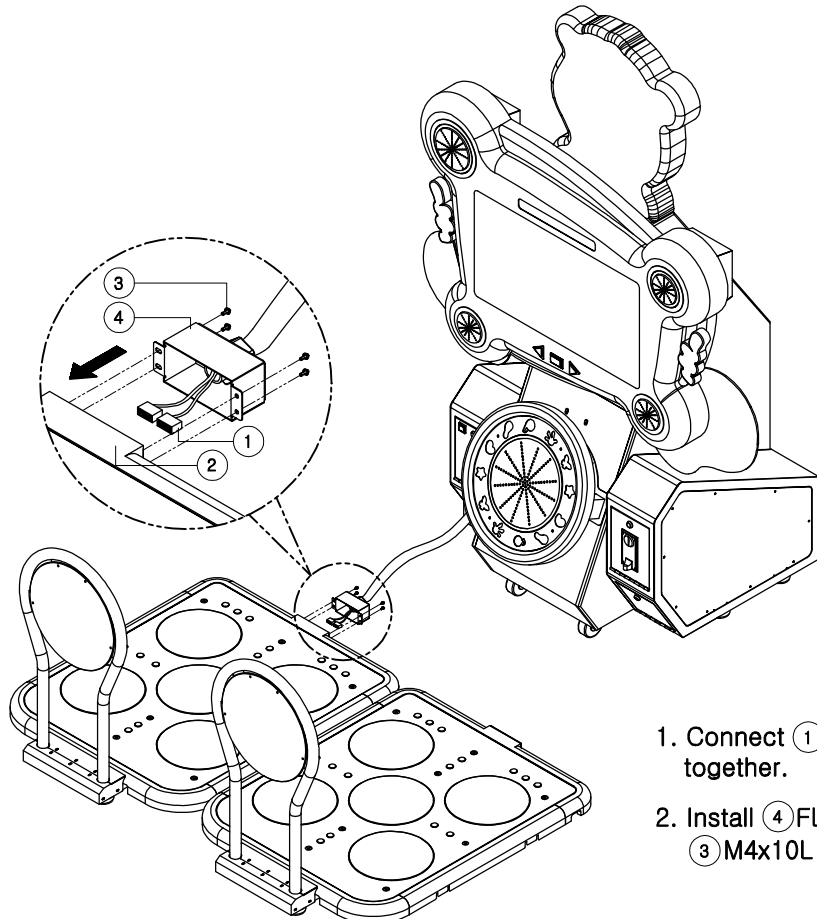
3. Insert ③ 3 connects into ④ Connect Bracket.

4. Connect ⑤ POWER CABLE and ⑥ MONITOR CABLE into 32" LCD monitor.



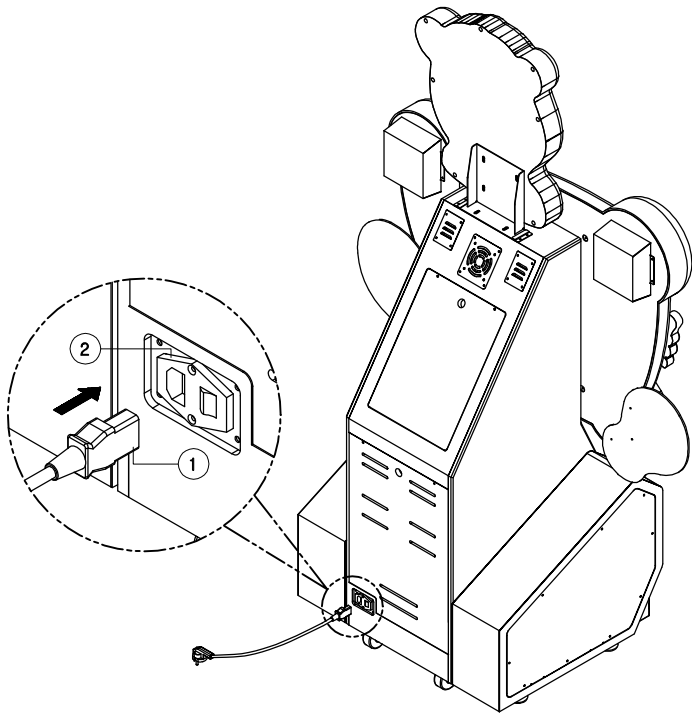
5. Attach ⑩ HEAD ASS'Y by using ⑨ M6x16L Bolts.(2 Bolts in total)
6. Attach ⑫ FOOT ACRYL by using ⑪ M4x16L Bolts.(6 Bolts in total)

### 5-3. How to connect step ass'y to the Main CABINET

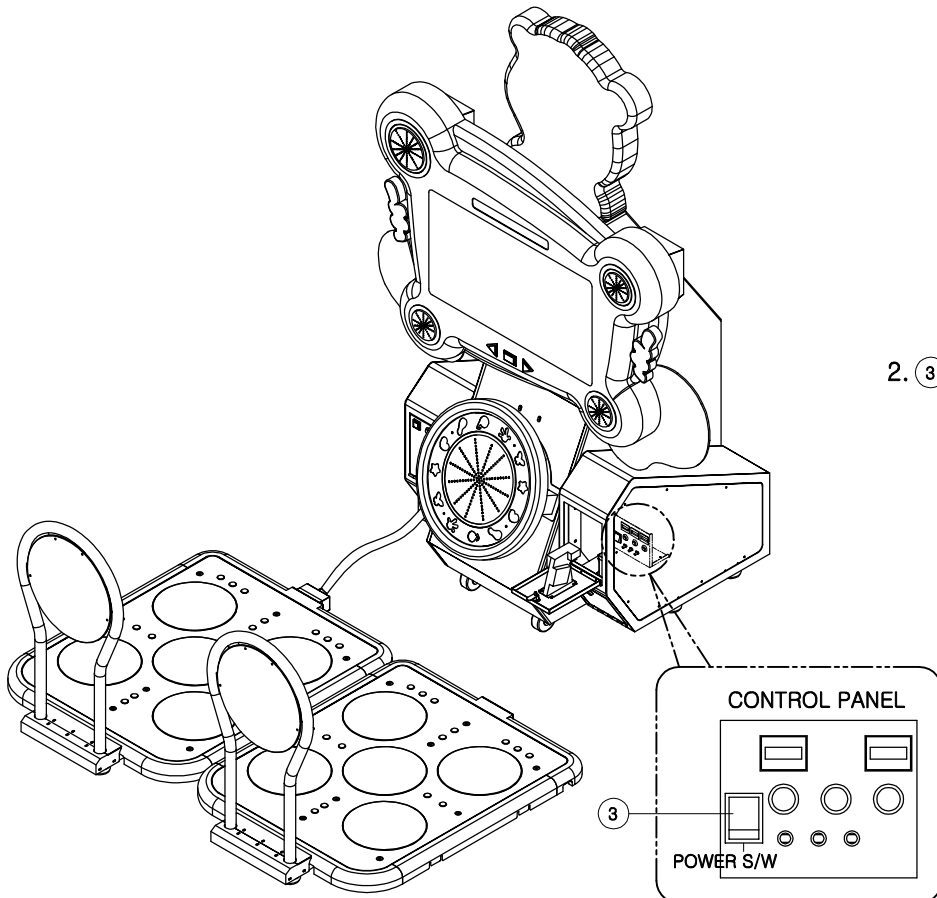


1. Connect ① MAIN CONNECTOR and ② STEP CONNECTOR together.
2. Install ④ FLEXIBLE TUBE CONNECTOR BRACKET by using ③ M4x10L Bolts.(4 Bolts in total)

#### 5-4. How to connect to the POWER



1. Insert Connect ① POWER CABLE to ② AC INPUT ASS'Y.



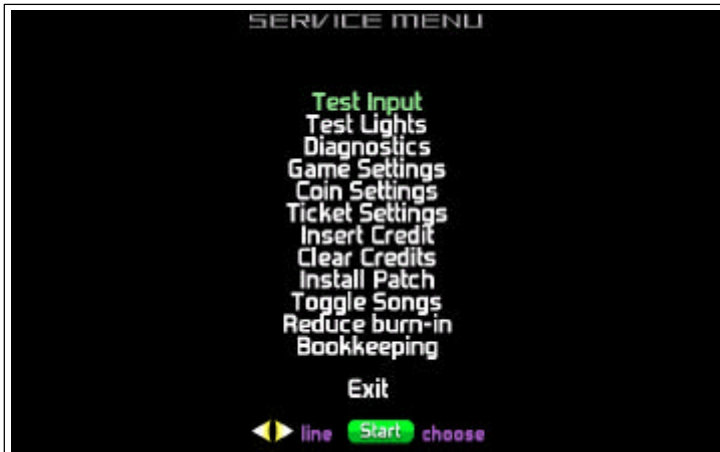
2. ③ Turn on the Power Switch.

## 6. SERVICE MENUS

Use the Service Menu screens to change game options and perform routine maintenance tasks.

### Service Menu

Press the Service button located in the service box at any time while the game is running.  
The Operator Menu will appear.



Press the Left and Right buttons to change the selected option, then press Start to choose the selected option.

#### 6-1. Test Input

Choose Test Input from the Service Menu.



The game displays a list of all dance pad panels and cabinet buttons that it detects as currently being pressed.

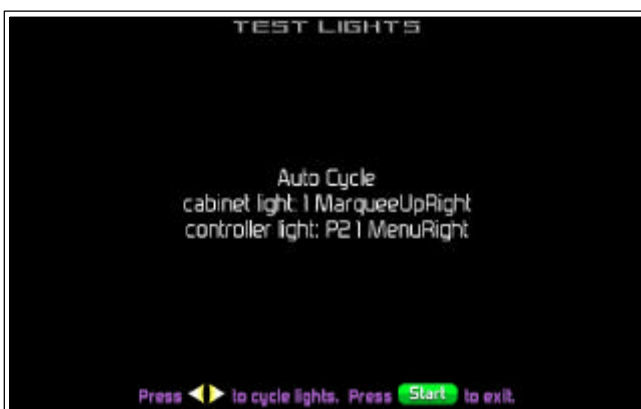
Press any dance pad panel or cabinet button, and watch the screen text to see if the button status changes appropriately.

Buttons that are stuck in the on position or are unresponsive to a press will need maintenance.

Press and hold the Start button to leave this screen.

#### 6-2. Test Lights

Choose Test Lights from the Service Menu.



This screen will cycle through the cabinet and pad lights one at a time.

A message shows which lights are currently lit according to the software.

Press Left and Right on the Player 1 side to manually cycle through cabinet lights.

Press Left and Right on the Player 2 side to manually cycle through pad lights.  
Press Start to leave this screen.

### 6-3. Game Options

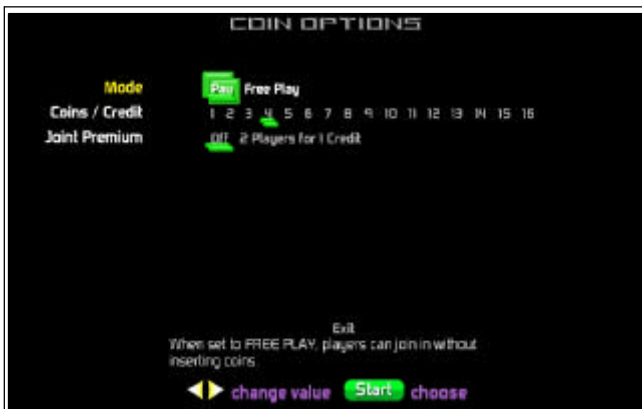


Choose Game Option from the Service Menu. Press the Left and Right buttons to change the selected value on the current row.

Press Start to move to the next row. Press Start while on the Exit option to save changes and leave this screen.

As you change options, an explanation describing the current option appears near the bottom of the screen.

### 6-4. Coin Options



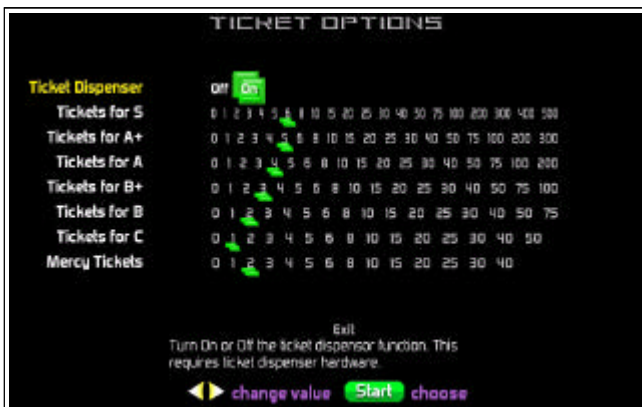
Press the Left and Right buttons to change the selected value on the current row.

Press Start to move to the next row. Press Start while on the Exit option to save changes and leave this screen.

As you change options, an explanation describing the current option appears near the bottom of the screen.

Choose Game Option from the Service Menu.

### 6-5. Ticket Options



Choose Game Option from the Service Menu. When the Ticket Dispenser is set at ON, tickets are dispensed according to play result. Press the Left and Right buttons to change the selected value on the current row.

Press Start to move to the next row.

Press Start while on the Exit option to save changes and leave this screen.

As you change options, an explanation describing the current option appears near the bottom of the screen.



## 6-6. USB Patch

Choose Install Patch from the Service Menu.

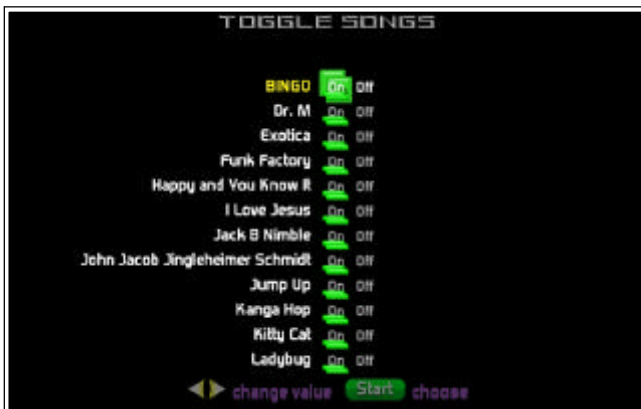


The game software can be upgraded with a Pump It Up Jump patch file on a USB drive. The upgrade file will be supplied by Andamiro if needed.

Contact [service@andamiro.com](mailto:service@andamiro.com)

## 6-7. Toggle Songs

Choose Toggle Songs from the Service Menu.

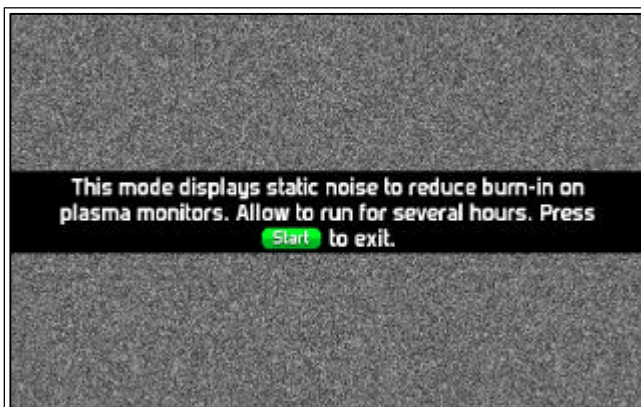


Song can be disabled according to the operation circumstance in terms of religious issue. "I Love Jesus" and "Jump Up" are related with the Christian religion.

Press Start to leave this screen.

## 6-8. Reduce burn-in

Choose Reduce burn-in from the Service Menu.



This mode displays static noise to reduce burn-in patterns that may have formed on LCD monitors.

If noticeable burn-in effects develop on your LCD monitors, allow this screen to run for several hours.

Press Start to leave this screen.

## 6-9. Bookkeeping

Choose Bookkeeping from the Service Menu.



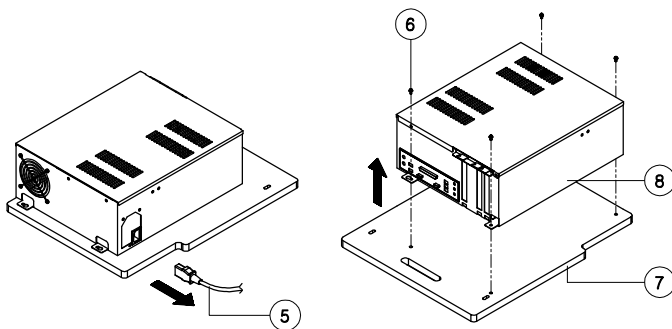
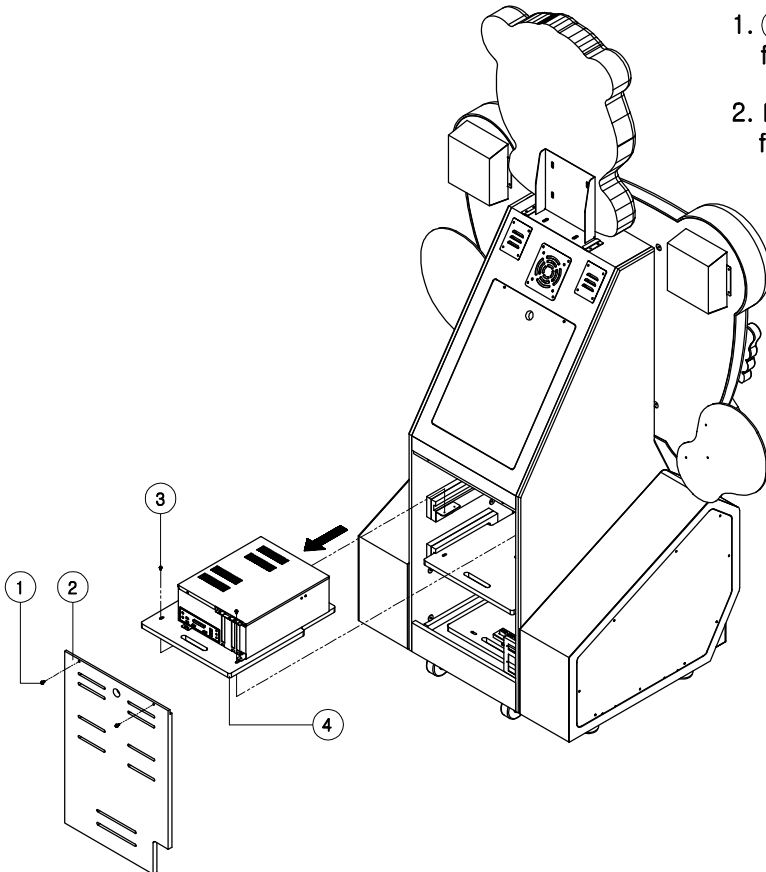
Press Left and Right to cycle among the different Bookkeeping reports.

Press Start to leave this screen.

## 7. HOW TO INSTALL / REPLACE PARTS

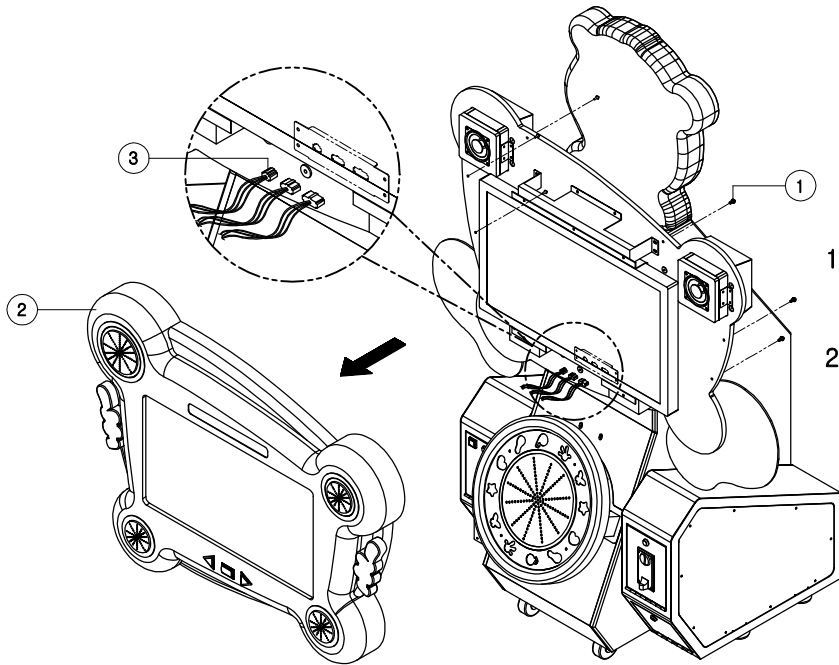
### 7-1. How to Change / Upgrade MK9 Kit

1. ① Release the Bolts, Separate ② REAR LOWER DOOR from the Main Cabinet.
2. Release ③ the Bolts then Pull the ④ MK9 ASS'Y PLATE from the Main Cabinet.

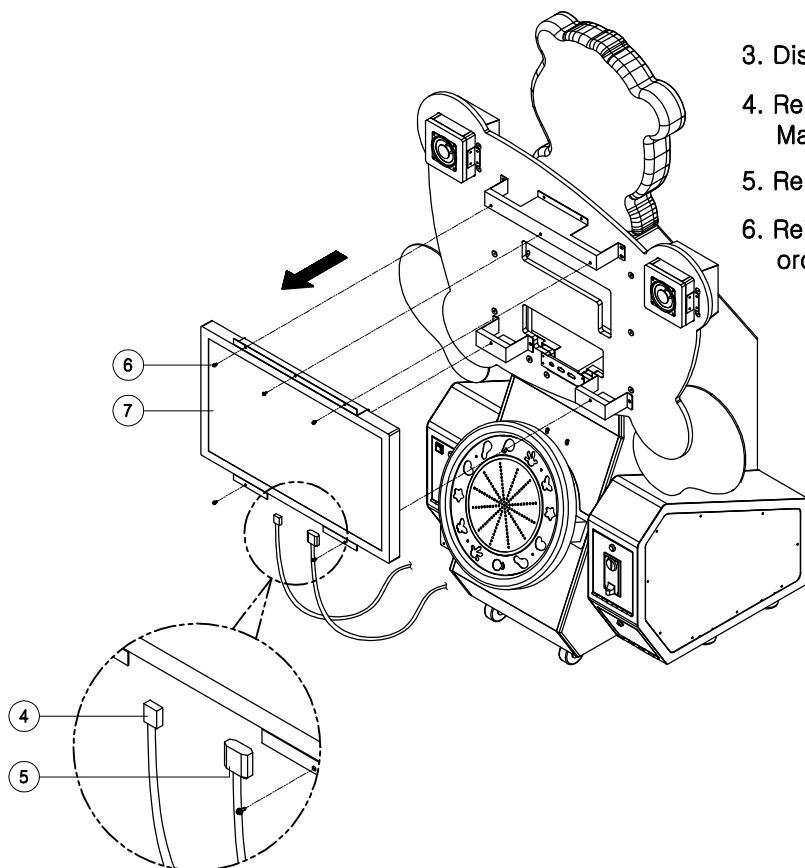


3. Unplug ⑤ POWER CABLE from the MK9 ASS'Y.
4. Release ⑥ Bolts.(4 in total)
5. Detach ⑧ MK9 ASS'Y from ⑦ MK9 PANEL
6. Upgrade the MK9 ASS'Y.
7. Reinstall after Ugrading MK9 ASS'Y by following the reverse order.

## 7-2. How to Change / Replace LCD

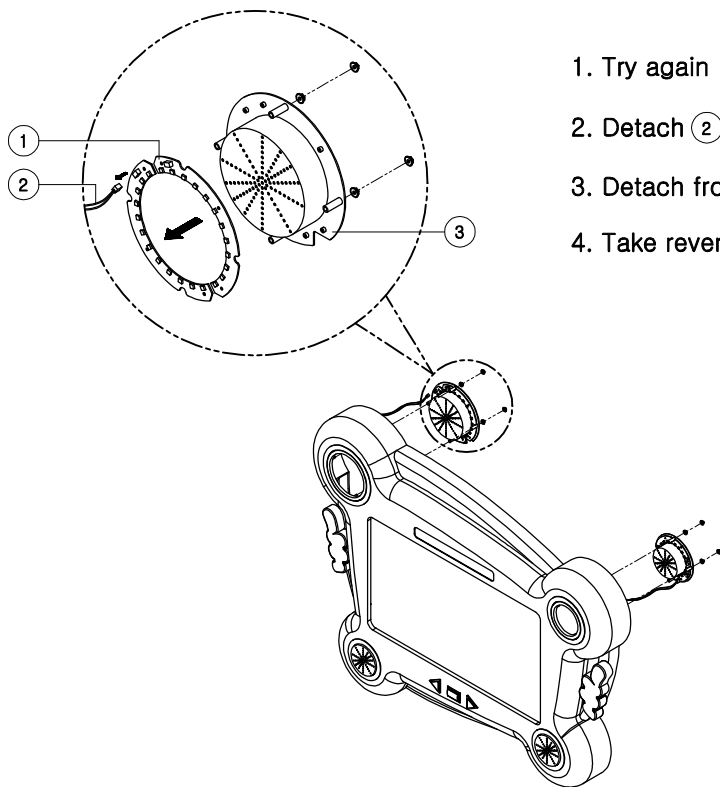


1. Detach ② MASK ASS'Y by losing ① M6x16L Bolts (7 Bolts in total)
2. Unplug ③ 3 CONNECTORS, Separate ② MASK ASS'Y from the Main Cabinet.



3. Disconnect ④ POWER CABLE and ⑤ MONITOR CABLE.
4. Release ⑥ the Bolts then Separate the ⑦ LCD from the Main Cabinet.
5. Replace the LCD
6. Reinstall after replacing LCD by following the reverse order.

### 7-3. How to Change / Replace SPEAKER LED PCB



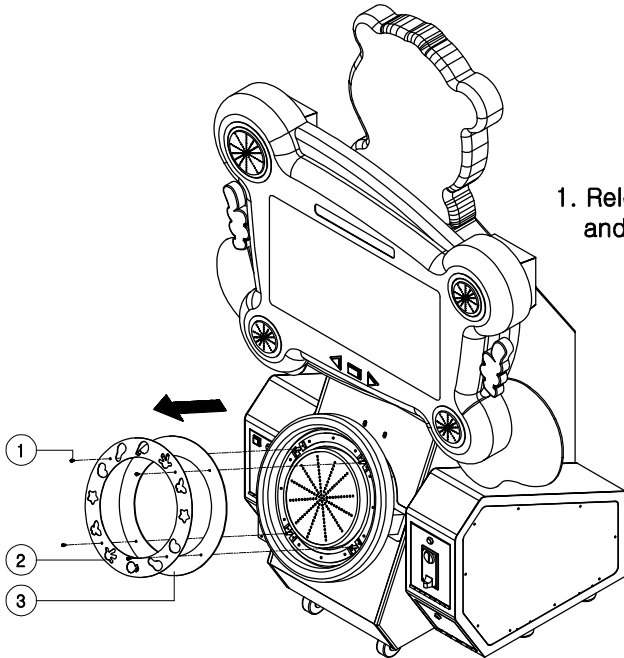
1. Try again 1,2 step in 8-2 section.

2. Detach (2) CONNECTOR from (1) LED PCB ASS'Y.

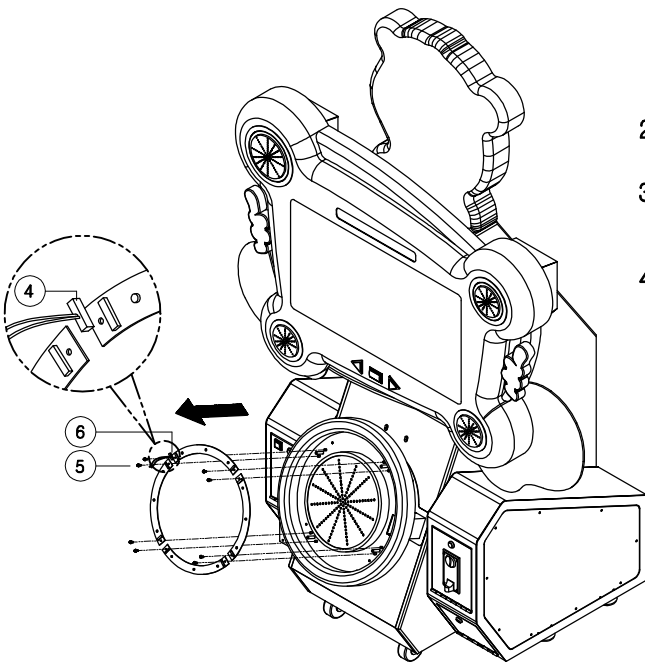
3. Detach from (3) SPEAKER INNER COVER BRACKET ASS'Y.

4. Take reverse procedures to assemble whole units.

#### 7-4. How to Change / Replace SUB WOOFER PCB

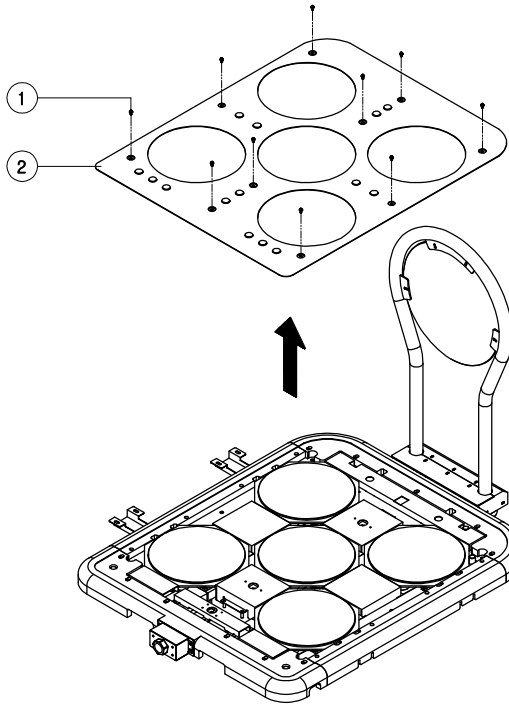


1. Release ① the Bolts then separate ② WOOFER CIRCLE BRACKET and ③ WOOFER CIRCLE PLATE ACRYL from the Main Cabinet.

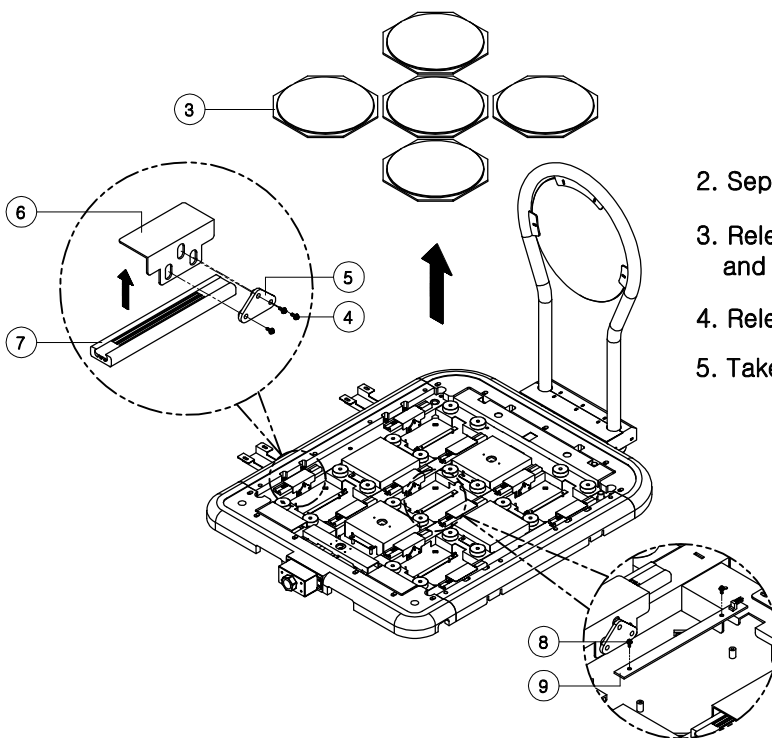


2. Detach ④ CONNECTOR from ⑥ WOOFER LED PCB.
3. Release ⑤ the Bolts then separate ⑥ WOOFER LED PCB from the Main Cabinet.
4. Reinstall after Ugrading WOOFER LED PCB by following the reverse order.

## 7-5. How to Change / Upgrade FOOT SENSOR & FOOT LED PCB

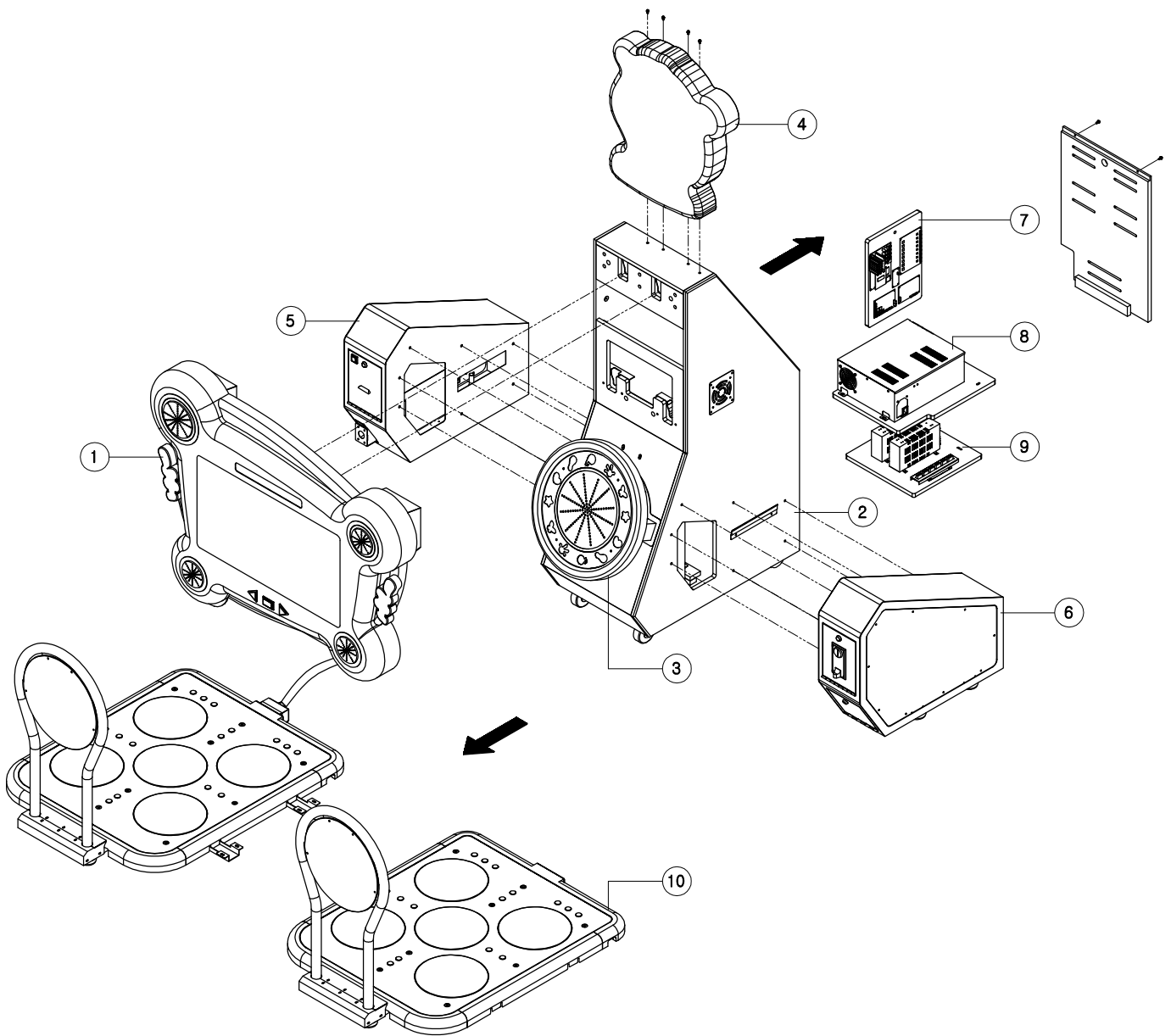


1. Release ① the Bolts then separate ② FOOT COVER BRACKET from the PUMP STEP ASS'Y.



2. Separate ③ FOOT PLATE from the PUMP STEP ASS'Y.
3. Release ④ the Bolts then separate ⑤ SWITCH BUSHING and then replace ⑦ FOOT SENSOR
4. Release ⑧ the Bolts then replace ⑨ FOOT LED PCB.
5. Take reverse procedure.

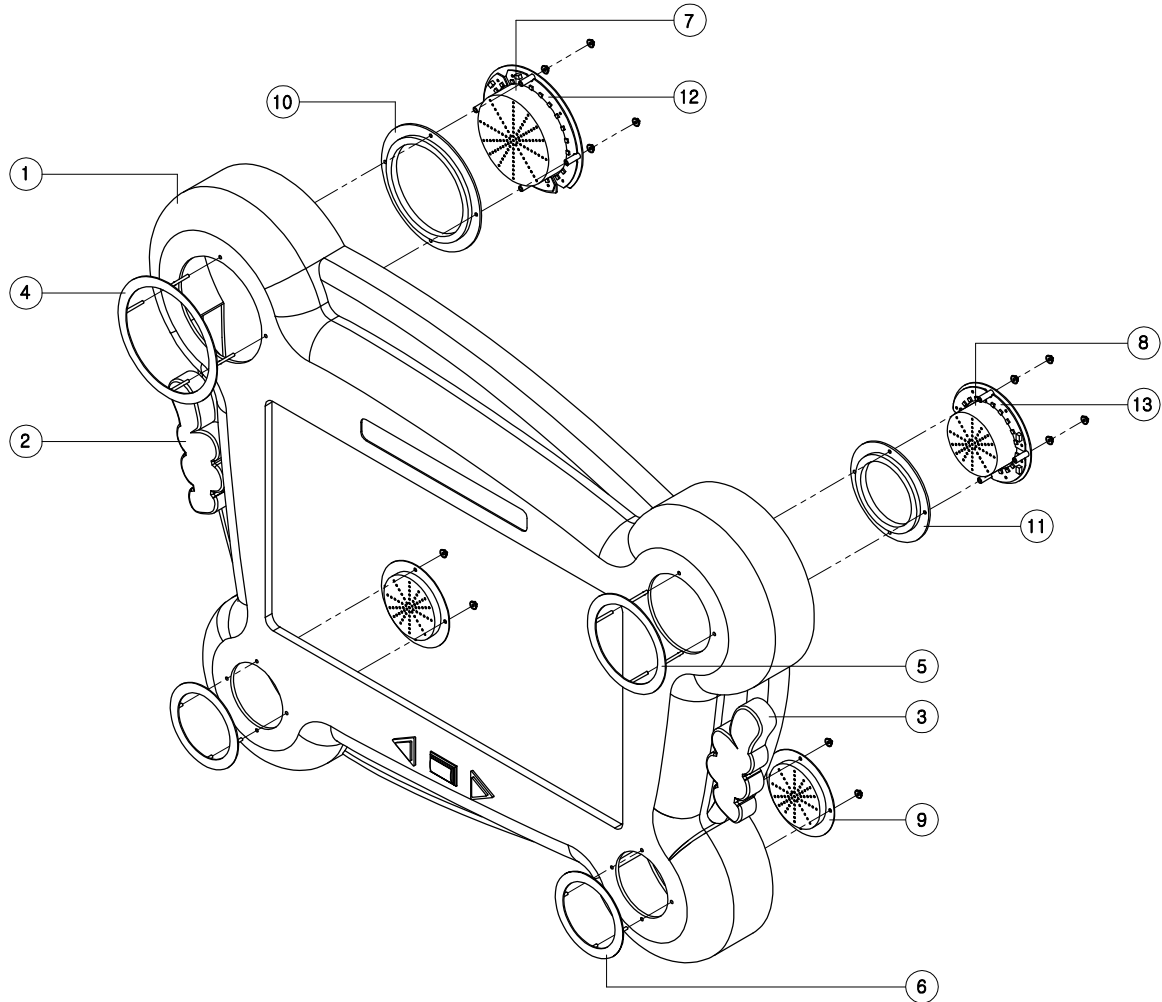
## 8. EXPLODED VIEW



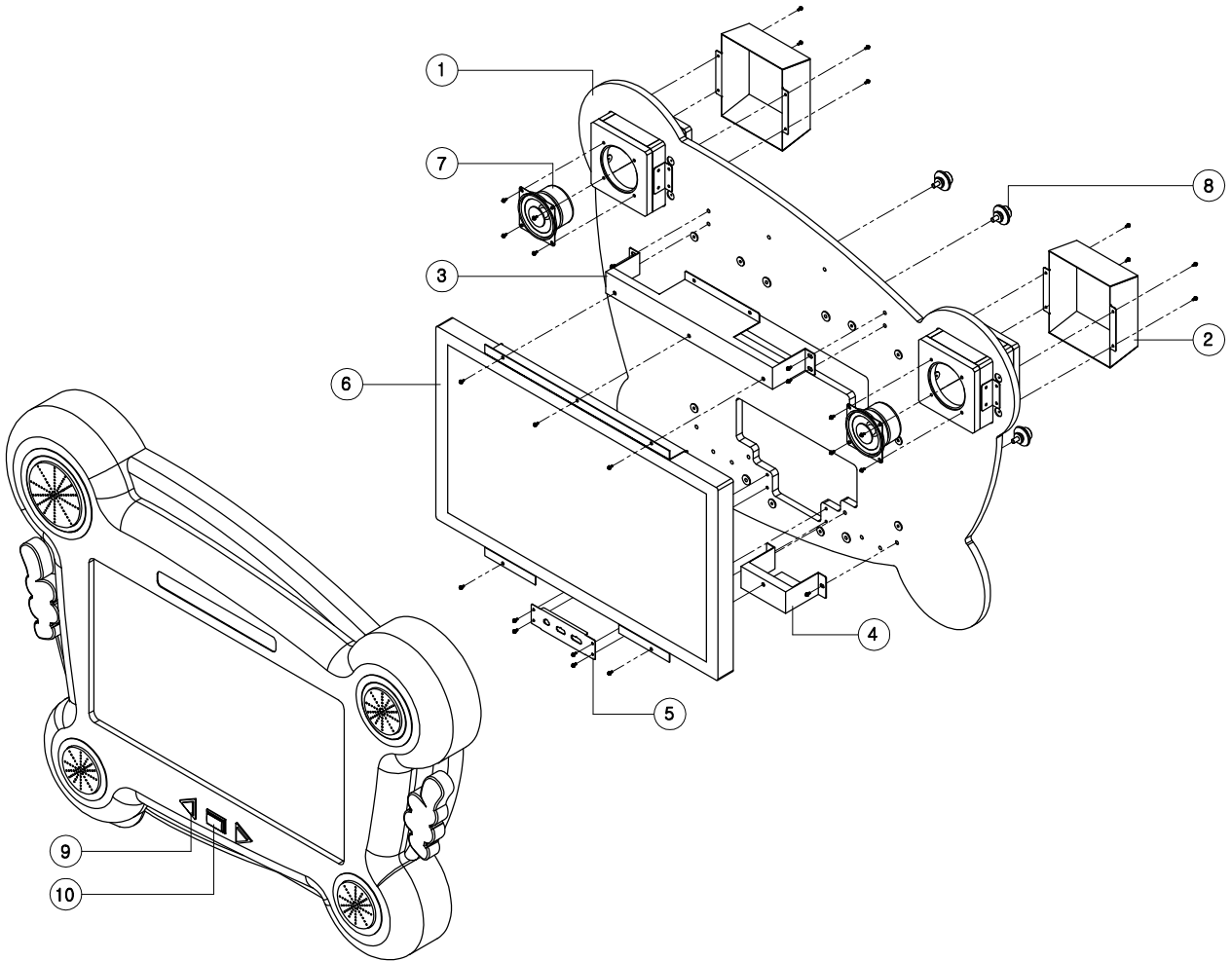
NO.	PART NAME	SPEC.	QUANTITY	CODE NO.
1	MASK ASS'Y	-	1	-
2	MAIN CABINET ASS'Y	-	1	APUJ0W00001
3	WOOFER COVER ASS'Y	-	1	-
4	HEAD ASS'Y	-	1	APUJ0ASS004
5	BOX ASS'Y	-	1	-
6	COIN BOX ASS'Y	-	1	-
7	MAIN BOX ASS'Y	-	1	APUJ0ASS006
8	IO BOARD ASS'Y	-	1	-
9	POWER PANEL ASS'Y	-	1	-
10	STEP ASS'Y L,R	-	1	APUJ0ASS007,8



## 8-1. MASK ASS'Y

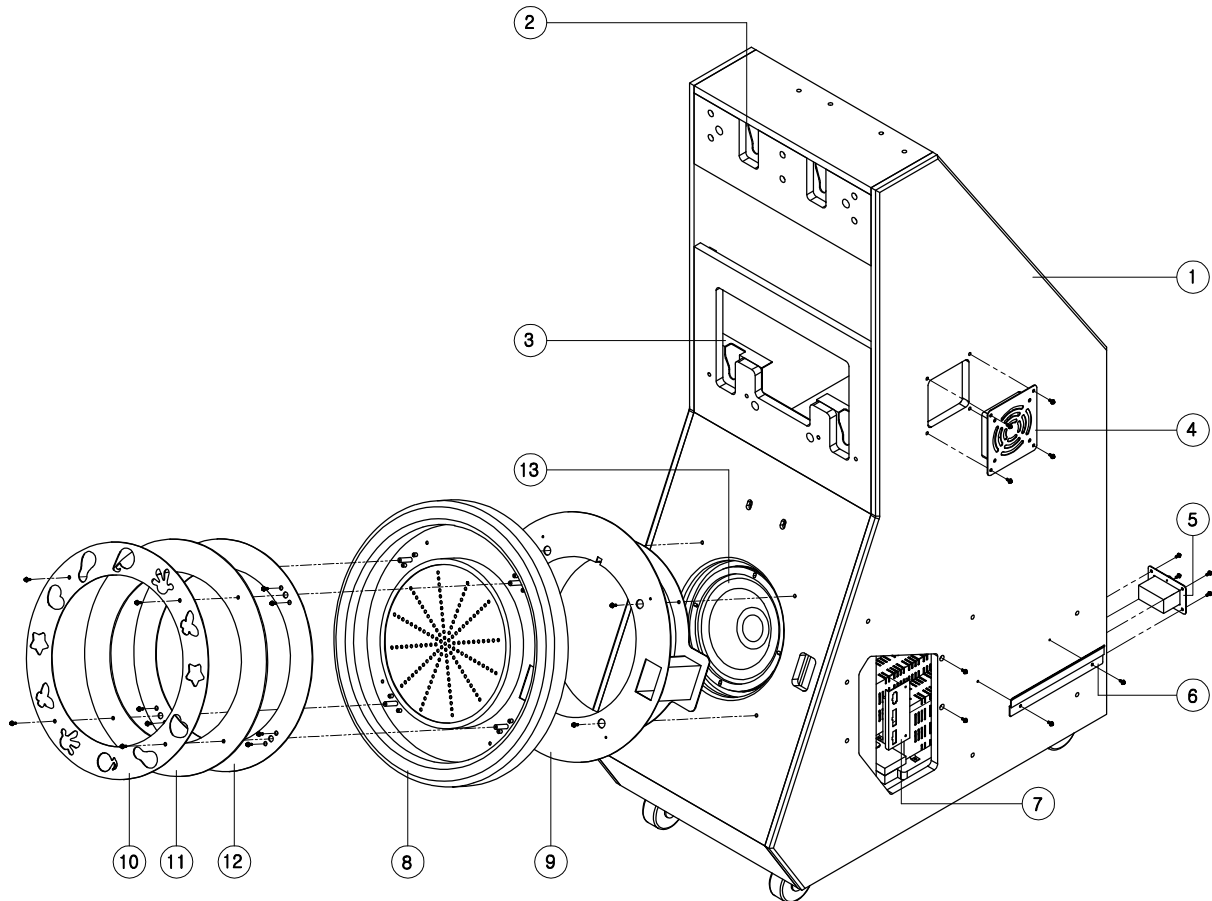


NO.	PART NAME	SPEC.	QUANTITY	CODE NO.
1	MASK	-	1	MPUJ0PLA005
2	HAND L	-	1	MPUJ0PLA006
3	HAND R	-	1	MPUJ0PLA007
4	SPEAKER OUTER LARGE COVER BRACKET	-	1	APUJ0MEP022
5	SPEAKER OUTER MIDDLE COVER BRACKET	-	1	APUJ0MEP023
6	SPEAKER OUTER SMALL COVER BRACKET	-	2	APUJ0MEP024
7	SPEAKER INNER LARGE COVER BRACKET	-	1	APUJ0MEP019
8	SPEAKER INNER MIDDLE COVER BRACKET	-	1	APUJ0MEP020
9	SPEAKER INNER SMALL COVER BRACKET	-	2	APUJ0MEP021
10	SPEAKER LARGE COVER ACRYL	-	1	APUJ0ACR001
11	SPEAKER MIDDLE COVER ACRYL	-	1	APUJ0ACR002
12	LARGE LED PCB ASS'Y	-	1	APUJ0PCB008
13	MIDDLE LED PCB ASS'Y	-	1	APUJ0PCB007

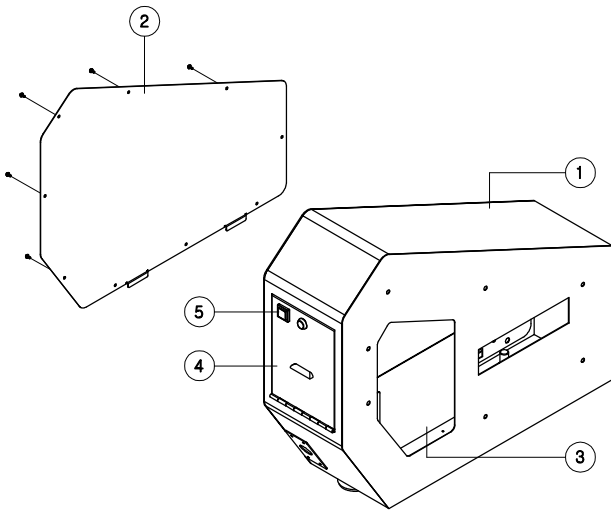


NO.	PART NAME	SPEC.	QUANTITY	CODE NO.
1	MASK REAR PLATE	-	1	APUJ0W00009
2	SPEAKER BOX REAR COVER BRACKET	-	2	APUJ0MEP018
3	LED UPPER FIX BRACKET	-	1	APUJ0MEP016
4	LED LOWER FIX BRACKET	-	2	APUJ0MEP015
5	MASK CONNECTOR FIX BRACKET	-	1	APUJ0MEP017
6	LCD	32"	1	MZZZ0000406
7	SPEAKER	4"	2	MZZZ0SPE021
8	WALL MOUNT BLOCK	-	4	MPUJ0ZZZ003
9	BUTTON SWITCH ASS'Y	TN-G-CY	2	AZZZ0BUT005
10	BUTTON SWITCH ASS'Y	TN-F-CG	1	AZZZ0BUT004

## 8-2. MAIN CABINET ASS'Y

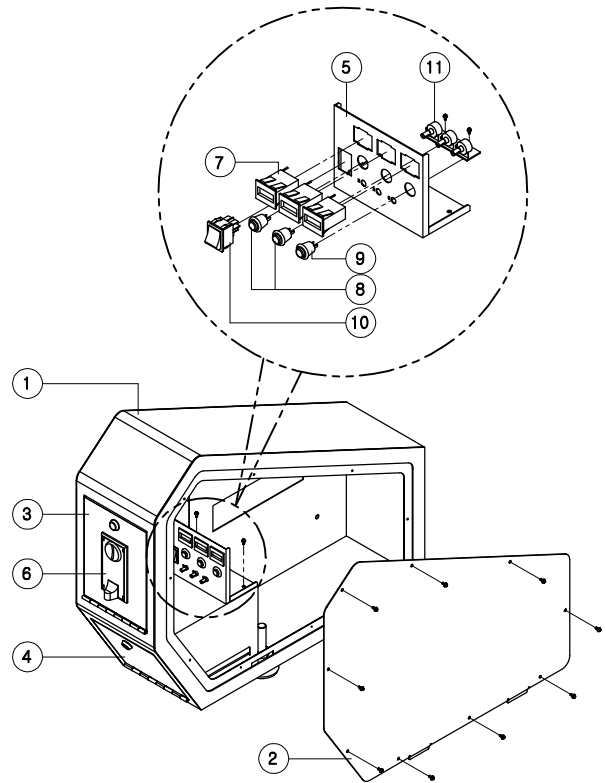


NO.	PART NAME	SPEC.	QUANTITY	CODE NO.
1	MAIN CABINET	-	1	APUJ0WOO001
2	MOUNT UPPER FIX BRACKET	-	1	APUJ0MEP007
3	MOUNT LOWER FIX BRACKET	-	1	APUJ0MEP006
4	FAN BRACKET ASS'Y	3610KL-04W-B30 NMB	1	MELE0FAN007
5	NOISE FILTE FIX BRACKET ASS'Y	IP-0642-H2	1	MELE0NOI002
6	SIDE HANGER BRACKET	-	2	APUJ0MEP009
7	CASE CONNECTOR FIX BRACKET L,R	-	2	MPUJ0MEP002,3
8	WOOFER COVER PLATE ASS'Y	-	1	-
9	WOOFER BRACKET	-	1	APUJ0MEP041
10	WOOFER CIRCLE BRACKET	-	1	APUJ0MEP042
11	WOOFER CIRCLE PLATE ACRYL	-	1	APUJ0ACR005
12	WOOFER LED PCB ASS'Y	-	1	APUJ0PCB006
13	WOOFER SPEAKER	WOOFER 8"	1	MZZZ0SPE022



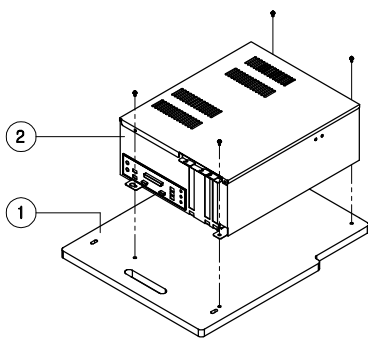
8-3. BOX ASS'Y

NO.	PART NAME	SPEC.	QUANTITY	CODE NO.
1	TICKET BOX SIDE-R BRACKET	-	1	MPUJOME034
2	TICKET BOX SIDE DOOR-R	-	1	MPUJOME029
3	TICKET BOX BRACKET	-	1	MPUJOME068
4	TICKET BOX DOOR BRACKET	-	1	MPUJOME036
5	BUTTON SWITCH	AM1PB-26SH R12D	1	MMUM0BUT002



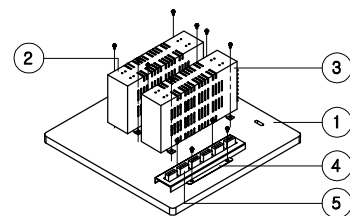
8-4. COIN BOX ASS'Y

NO.	PART NAME	SPEC.	QUANTITY	CODE NO.
1	COIN BOX SIDE-L BRACKET	-	1	MPUJOME025
2	COIN BOX SIDE DOOR	-	1	MPUJOME035
3	COIN BOX UPPER DOOR	-	1	MPUJOME027
4	COIN BOX LOWER DOOR	-	1	MPUJOME026
5	AC POWER BRACKET	-	1	MPUJOME031
6	COIN SELECTOR	-	1	MZZZ0C0S024
7	COUNTER	AMMC-712(7D12V)	3	MZZZ0COU002
8	PUSH BUTTON SWITCH-W	412W	2	MELE0PUS002
9	PUSH BUTTON SWITCH-R	412R	1	MELE0PUS001
10	ROCKER SWITCH	T-125 4P	1	MELE0SWI004
11	VOLUME PCB ASS'Y	-	1	APUJ0PCB005



8-5. MAIN BOX ASS'Y

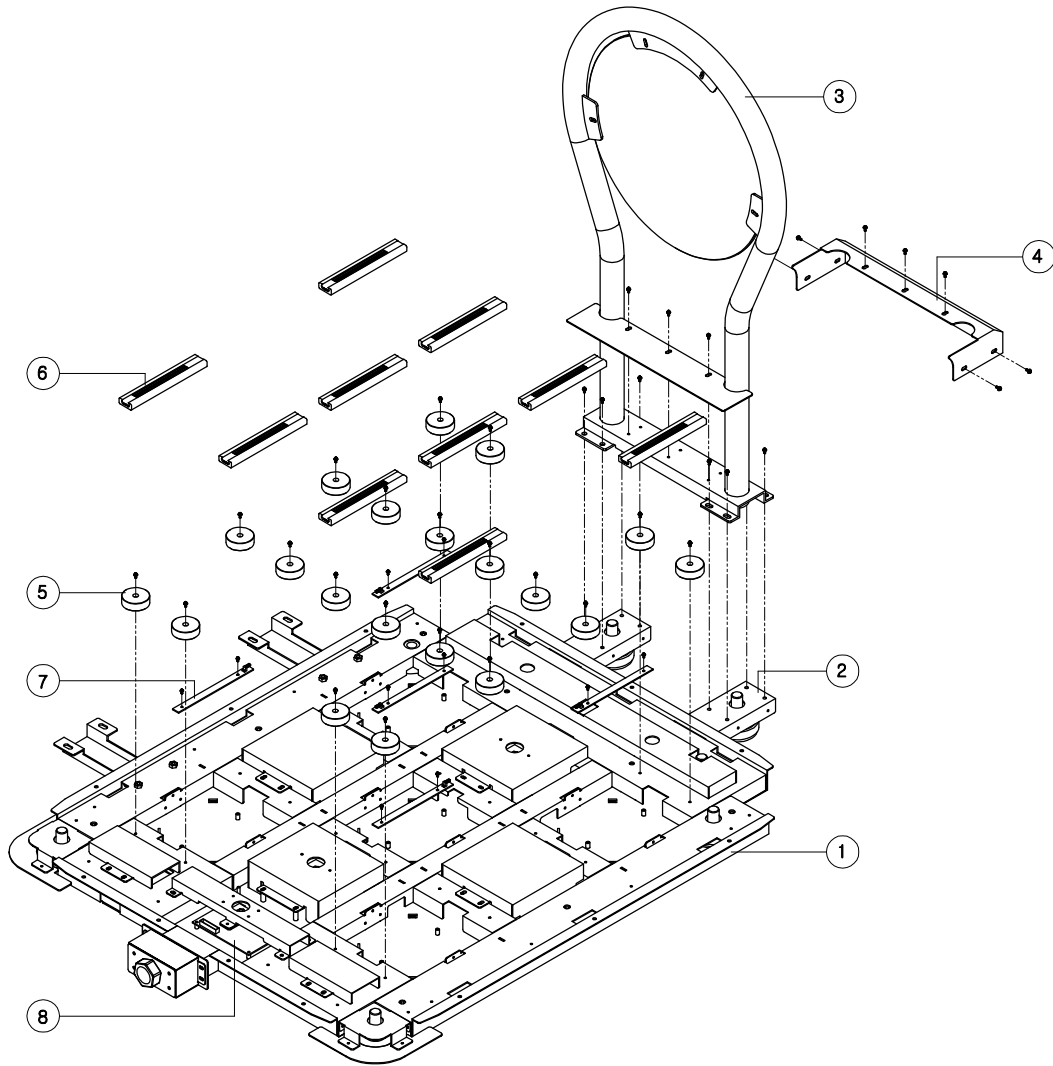
NO.	PART NAME	SPEC.	QUANTITY	CODE NO.
1	MK9 BOARD PLATE	-	1	APUJ0WOO003
2	MK9	-	1	AZZZ0SYS001



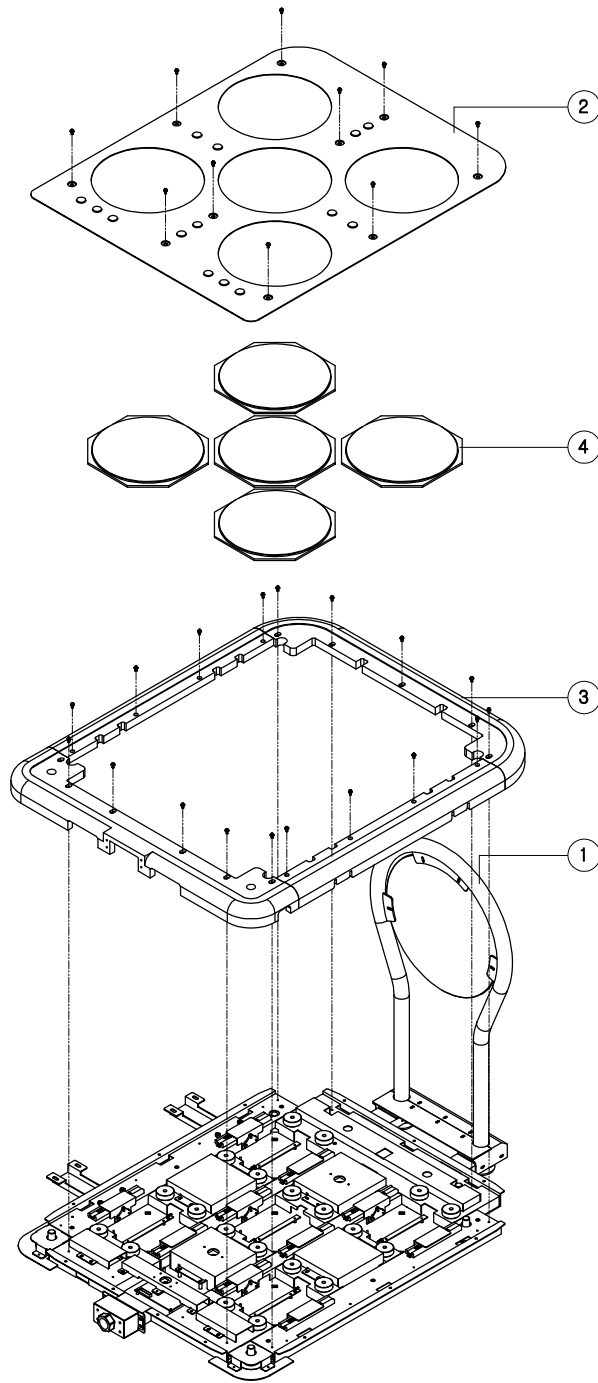
8-6. POWER PANEL ASS'Y

NO.	PART NAME	SPEC.	QUANTITY	CODE NO.
1	SMPS PLATE	-	1	APUJ0WOO004
2	SMPS	CSR028A UL 12V,5V	1	MELE0SMP034
3	SMPS	DSF80-24	1	MELE0SMP031
4	TERMINAL BRACKET	-	1	MMUN0PRO008
5	AC JOIN PCB ASS'Y	-	1	AMUM0PCB010

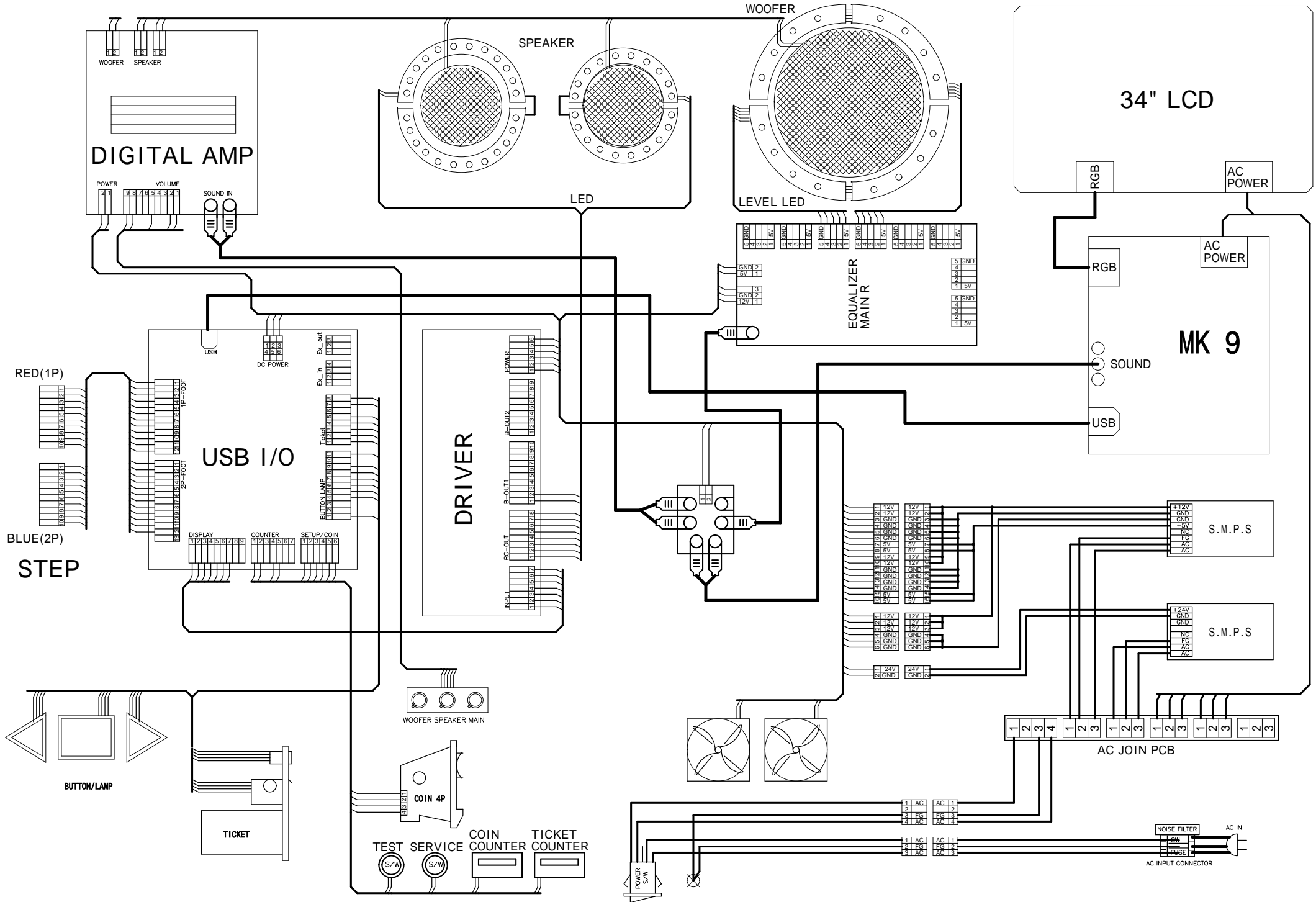
## 8-7. STEP ASS'Y



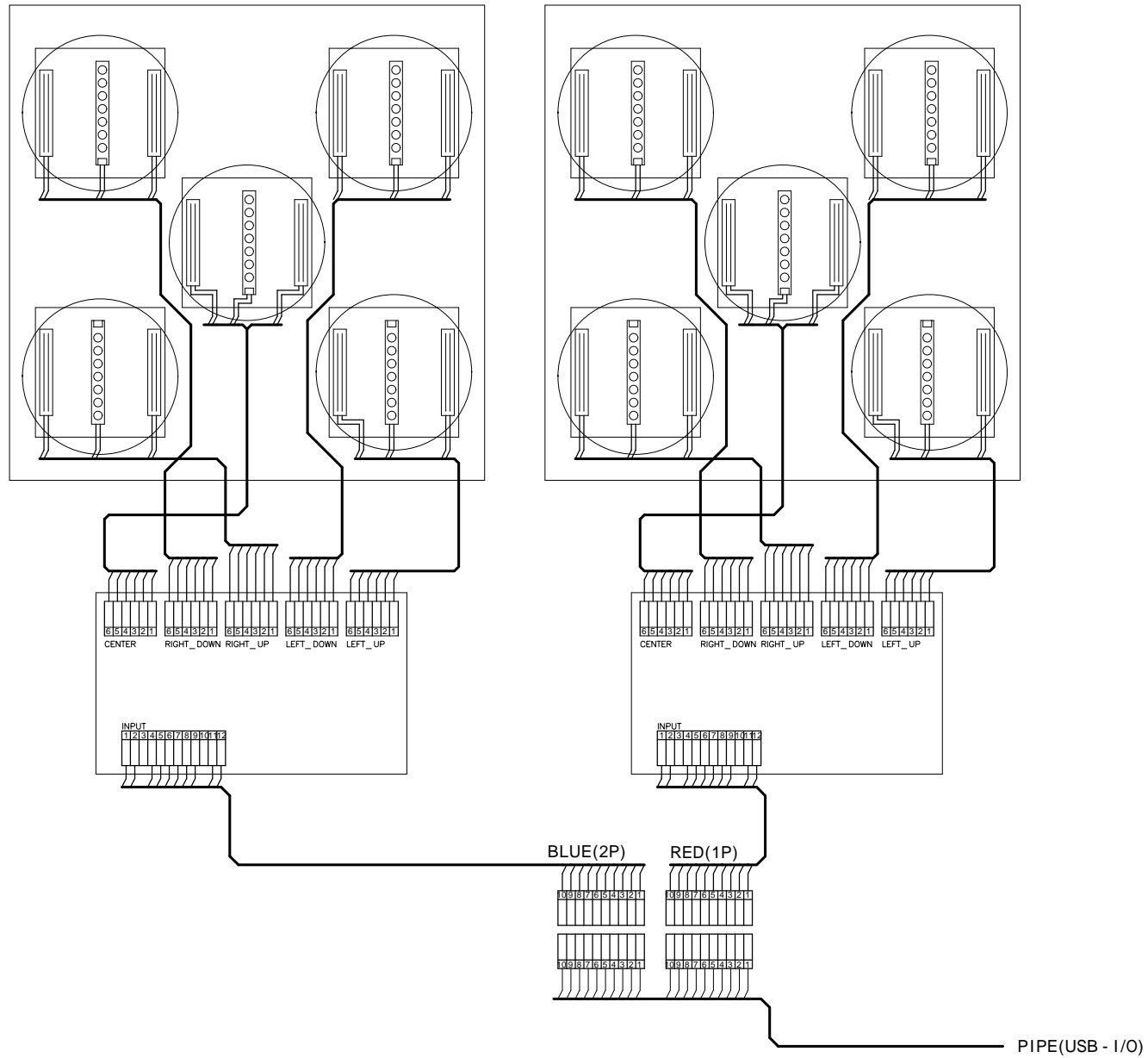
NO.	PART NAME	SPEC.	QUANTITY	CODE NO.
1	BOTTOM BRACKET ASS'Y	-	1	-
2	PIPE FIX BRACKET L,R	-	2	MPUJ0MEP063,4
3	REAR PIPE ASS'Y	-	1	-
4	PIPE UPPER REAR COVER BRACKET	-	1	APUJ0MEP052
5	SWITCH STOPPER	-	20	APUJ0PLA004
6	FOOT SENSOR ASS'Y	-	10	MELE0SEN003
7	FOOT LED PCB ASS'Y	-	5	APUF0PCB017
8	STEP IO PCB ASS'Y	-	1	APUJ0PCB004



NO.	PART NAME	SPEC.	QUANTITY	CODE NO.
1	STEP FRAME ASS'Y	-	1	-
2	FOOT COVER BRACKET	-	1	APUJ0MEP052
3	FOOT COVER ASS'Y	-	1	-
4	FOOT PLATE ASS'Y	-	5	-



# JUMP STEP







**ANDAMIRO®**

[www.andamiro.com](http://www.andamiro.com)  
[www.andamirousa.com](http://www.andamirousa.com)

ISSUE DATE : Oct. 22, 2008